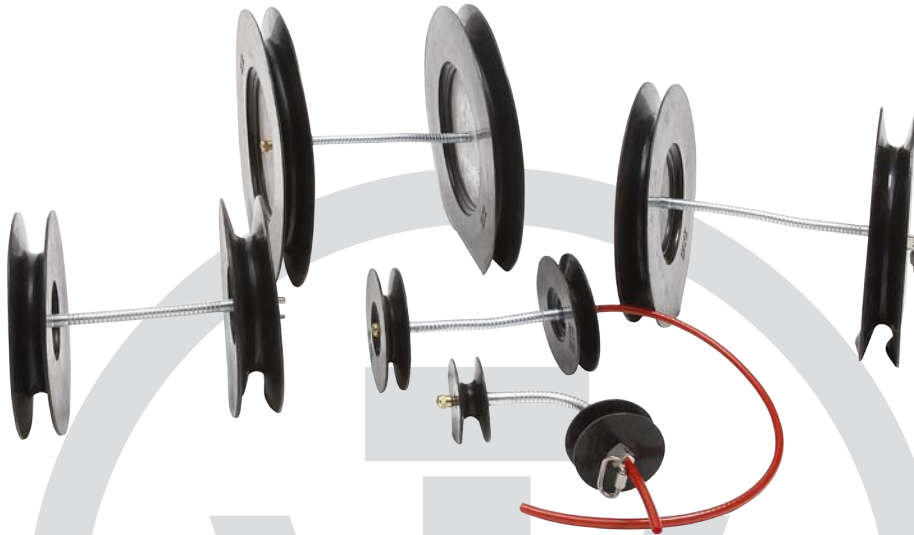


Purge Flex



Purge Flex Purging System:

Purge Flex, manufactured by WELD-TECH, is a double seal purging system that works in the ranges from 25mm to 320mm.

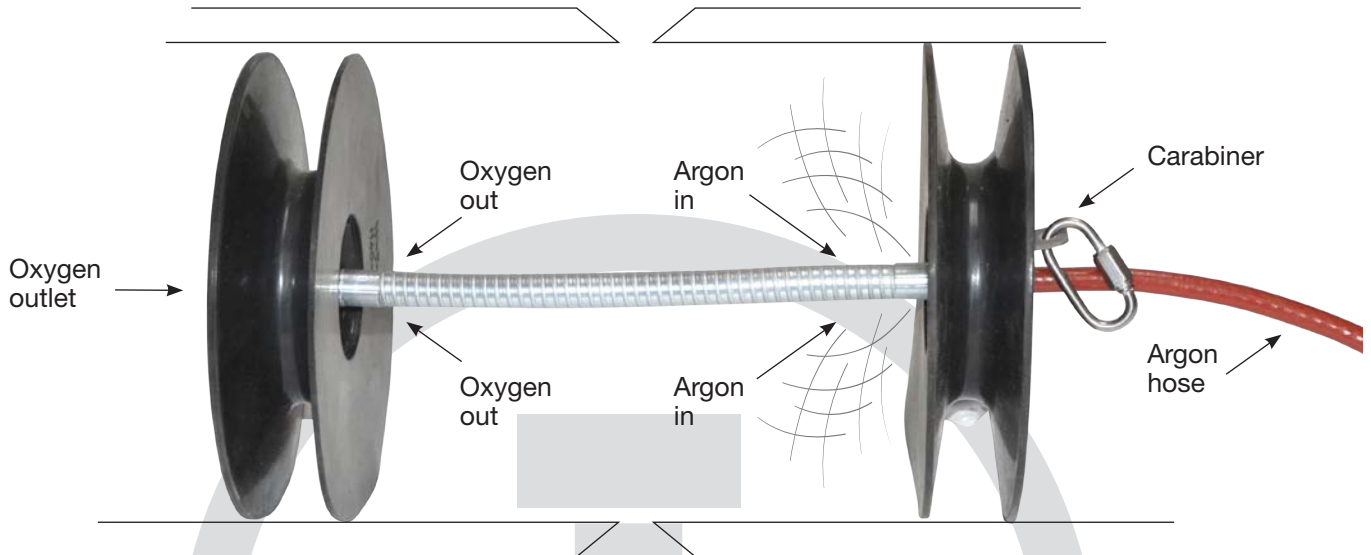
Purge Flex is easy to pull through pipes and bends without tilting. The design of the system also guarantee that at least one disc holds tight and this will reduce both purging time and inert gas use. Typical purge time of less than 2 minutes (for example an 8" pipe will purge to below 0,01% Oxygen in less than 2 minutes).

Going from the welding of one pipe dimension to another, you simply change the sealing discs on the basic unit. Basic units are available in 3 lengths, 120 mm, 150 mm and 200 mm. Each basic unit will fit all sizes of the sealing discs. Purge Flex sealing discs can also be used for all of WELD-TECH's other basic units, as well as from some other Manufacturers.

The Silicone Discs is temperature resistant up to 320°C.



Purge Flex



Purge Flex complete		
Cat. No.	DIA.	Range in mm
EZPF032	Ø32	25 - 31
EZPF043	Ø43	32 - 40
EZPF054	Ø54	41 - 50
EZPF064	Ø64	52 - 61
EZPF078	Ø78	62 - 74
EZPF090	Ø90	75 - 86
EZPF110	Ø110	85 - 101
EZPF120	Ø120	100 - 110
EZPF142	Ø142	120 - 135
EZPF160	Ø160	140 - 155
EZPF175	Ø175	150 - 165
EZPF210	Ø210	175 - 200
EZPF230	Ø230	195 - 215
EZPF270	Ø270	235 - 260
EZPF290	Ø290	255 - 280
EZPF310	Ø310	275 - 300
EZPF330	Ø330	290 - 320



Each set comes complete with Basic Unit, 10m Stainless Steel Wire and 10m Argon Hose including female coupling.