

► WELDING SCREENS

The main dangers of unprotected exposure to welding light are: arc eye (during short-term exposure), cataract (by prolonged exposure) and skin burn. The latter can also lead to skin cancer. The welder protects himself by wearing a welding mask and protective clothing but bystanders are exposed to the same dangers. This is why it is important to protect bystanders in the work place to prevent long-term illness.

When protecting the welding area, it is important not to isolate it from other work areas which is one of the reasons why a welding curtain should be made of transparent material. This not only helps to keep an overview of the work progress, but also allows for a quick response in the case of emergencies. It also prevents the welder from suffering from claustrophobia.

In addition to a wide-range of other products, CEPRO can also provide the necessary materials to construct a welding booth as a non-permanent fixture.

We can also supply a mobile welding booth which is suitable and easier to move to different locations. Not only do these booths provide protection but they also offer flexibility for organizing workspace. They provide an optimal solution because they can be quickly dismantled and removed from the work floor when welding work is not being carried out.

► Certification

All CEPRO products used in our welding screens have been approved according to the European EN ISO 25980 standard and are regularly retested and re-certified. Therefore customers are always assured of obtaining a safe product.

► Available products

The CEPRO welding screens programme is divided into 4 product groups which are suitable for various applications.

• **CEPRO Robusto welding screens**

Very high quality screens. Because they are solidly built they can be used in even the most demanding working conditions.

• **CEPRO Omnium welding screens**

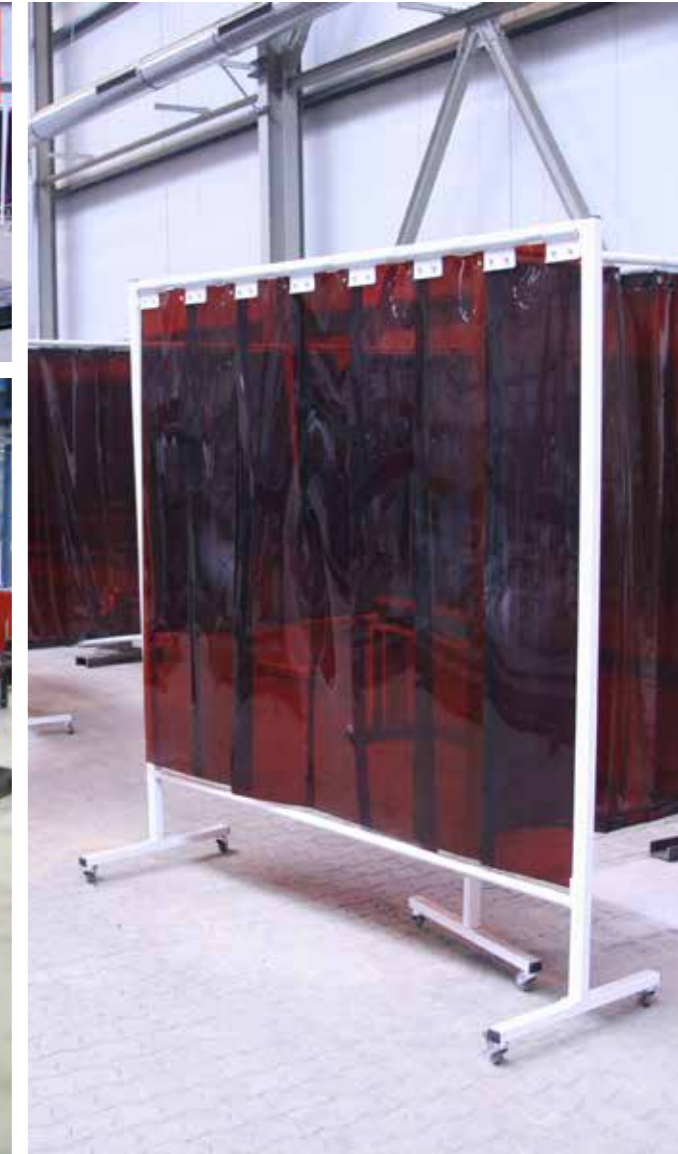
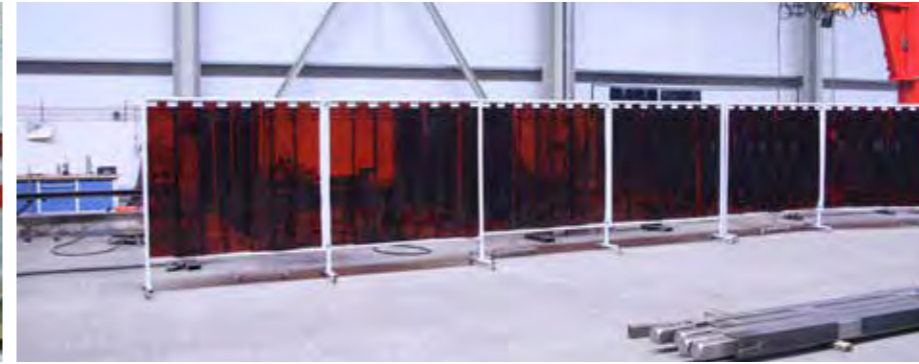
Sturdy and stylish screens. The CEPRO Omnium welding screen is an all-round welding screen and often used in difficult working conditions.

• **CEPRO Sprint welding screens**

Are quality-made screens. The CEPRO Sprint welding screen can be used in diverse working conditions.

• **CEPRO Gazelle welding screens**

Ideal for use in smaller workspaces and infrequent use. They are very lightweight and can be easily moved by hand.



▶ **CEPRO ROBUSTO WELDING SCREEN 215CM**

- Height 210 cm
- Width central section 215cm
- Standard 4 swivel castors Ø 75mm
- 2 swivel castors with brake and 2 without
- RAL 7035 powder coating finish
- Round 35 x 2.5mm tube
- Rectangular 50 x 30 x 2mm tube

▶ **CEPRO ROBUSTO TRIPTYCH WELDING SCREEN 355CM**

- Height 210 cm
- Width central section 215cm
- 2 swivel arms each 70cm
- Standard 4 swivel castors Ø 75mm
- 2 swivel castors with brake and 2 without
- RAL 7035 powder coating finish
- Round 35 x 2.5mm tube
- Rectangular 50 x 30 x 2mm tube

▶ **CEPRO ROBUSTO WELDING SCREEN 215CM - WITH WELDING CURTAIN**

Cepro Orange-CE	36.32.15	<ul style="list-style-type: none"> • Curtain height 180cm • Plastic suspension rings • Curtains EN ISO 25980 approved
Cepro Green-9	36.32.19	
Cepro Green-6	36.32.16	
Cepro Bronze-CE	36.32.17	

EN ISO 25980
APPROVED



▶ **CEPRO ROBUSTO TRIPTYCH WELDING SCREEN 355CM - WITH WELDING CURTAINS**

Cepro Orange-CE	36.31.15	<ul style="list-style-type: none"> • Curtain height 180cm • Plastic suspension rings • Curtains EN ISO 25980 approved
Cepro Green-9	36.31.19	
Cepro Green-6	36.31.16	
Cepro Bronze-CE	36.31.17	

EN ISO 25980
APPROVED



▶ **CEPRO ROBUSTO WELDING SCREEN 215CM - WITH WELDING STRIPS**

Cepro Orange-CE	36.32.25	<ul style="list-style-type: none"> • Strips height 180cm • Strips 300 x 2mm • Overlap strips 10cm • Plastic suspension clips • Strips EN ISO 25980 approved
Cepro Green-9	36.32.29	
Cepro Green-6	36.32.26	
Cepro Bronze-CE	36.32.27	

EN ISO 25980
APPROVED



▶ **CEPRO ROBUSTO TRIPTYCH WELDING SCREEN 355CM - WITH WELDING STRIPS**

Cepro Orange-CE	36.31.25	<ul style="list-style-type: none"> • Strips height 180cm • Strips 300 x 2mm • Overlap strips 10cm • Plastic suspension clips • Strips EN ISO 25980 approved
Cepro Green-9	36.31.29	
Cepro Green-6	36.31.26	
Cepro Bronze-CE	36.31.27	

EN ISO 25980
APPROVED



▶ **CEPRO ROBUSTO WELDING SCREEN 215CM - SPECIALS**

Cepro Atlas heat resistant curtain	36.32.31	<ul style="list-style-type: none"> • Curtain height 180cm • Atlas curtain 550 °C - A2 - EN 13501-1 approved • Sonic curtain Rw= 14 dB
With Cepro Sonic sound absorbing curtain	36.32.45	



▶ **CEPRO ROBUSTO TRIPTYCH WELDING SCREEN 355CM - SPECIALS**

Cepro Atlas heat resistant curtain	36.31.31	<ul style="list-style-type: none"> • Curtain height 180cm • Atlas curtain 550 °C - A2 - EN 13501-1 approved • Sonic curtain Rw= 14 dB
Cepro Sonic sound absorbing curtain	36.31.45	

EN ISO 25980
APPROVED



▶ **REPLACEMENT FILLING FOR CEPRO ROBUSTO SINGLE SCREEN 215CM**

Cepro Orange-CE replacement curtain	18.15.18	Cepro Orange-CE replacement strips	29.05.18.0010
Cepro Green-9 replacement curtain	18.19.18	Cepro Green-9 replacement strips	29.09.18.0010
Cepro Green-6 replacement curtain	18.16.18	Cepro Green-6 replacement strips	29.06.18.0010
Cepro Bronze-CE replacement curtain	18.17.18	Cepro Bronze-CE replacement strips	29.07.18.0010
Cepro Atlas replacement curtain	59.01.10.0003	Cepro Sonic replacement curtain	92.15.01 on demand

▶ **REPLACEMENT FILLING FOR CEPRO ROBUSTO TRIPTYCH SCREEN 355CM**

Cepro Orange-CE replacement curtain	18.15.18.0001	Cepro Orange-CE replacement strips	29.05.18.0016
Cepro Green-9 replacement curtain	18.19.18.0001	Cepro Green-9 replacement strips	29.09.18.0016
Cepro Green-6 replacement curtain	18.16.18.0001	Cepro Green-6 replacement strips	29.06.18.0016
Cepro Bronze-CE replacement curtain	18.17.18.0001	Cepro Bronze-CE replacement strips	29.07.18.0016
Cepro Atlas replacement curtain	59.01.10.0004	Cepro Sonic replacement curtain	92.15.01 on demand

▶ **CEPRO ROBUSTO TRIPTYCH XL WELDING SCREEN 435CM**

- Height 210 cm
- Width central section 215cm
- 2 swivel arms each 110cm
- Standard 4 swivel castors Ø 75mm
- 2 swivel castors with brake and 2 without
- RAL 7035 powder coating finish
- Round 35 x 2.5mm tube
- Rectangular 50 x 30 x 2mm tube

▶ **CEPRO ROBUSTO TRIPTYCH XL WELDING SCREEN 435CM - WITH WELDING CURTAINS**

Cepro Orange-CE	36.31.65
Cepro Green-9	36.31.69
Cepro Green-6	36.31.66
Cepro Bronze-CE	36.31.67

- Curtain height 180cm
- Plastic suspension rings
- Curtains EN ISO 25980 approved

EN ISO 25980
APPROVED



▶ **CEPRO ROBUSTO TRIPTYCH XL WELDING SCREEN 435CM - WITH WELDING STRIPS**

Cepro Orange-CE	36.31.75
Cepro Green-9	36.31.79
Cepro Green-6	36.31.76
Cepro Bronze-CE	36.31.77

- Strips height 180cm
- Strips 300 x 2mm
- Overlap strips 10cm
- Plastic suspension clips
- Strips EN ISO 25980 approved

EN ISO 25980
APPROVED



▶ **CEPRO ROBUSTO TRIPTYCH XL WELDING SCREEN 435CM - SPECIALS**

Cepro Atlas heat resistant curtain	36.31.81
Cepro Sonic sound absorbing curtain	36.31.95

- Curtain height 180cm
- Atlas curtain 550 °C - A2 - EN 13501-1 approved
- Sonic curtain Rw= 14 dB



▶ **REPLACEMENT FILLING FOR CEPRO ROBUSTO TRIPTYCH XL WELDING SCREEN**

Cepro Orange-CE replacement curtain	18.15.18.0002	Cepro Orange-CE replacement strips	29.05.18.0020
Cepro Green-9 replacement curtain	18.19.18.0002	Cepro Green-9 replacement strips	29.09.18.0020
Cepro Green-6 replacement curtain	18.16.18.0002	Cepro Green-6 replacement strips	29.06.18.0020
Cepro Bronze-CE replacement curtain	18.17.18.0002	Cepro Bronze-CE replacement strips	29.07.18.0020
Cepro Atlas replacement curtain	59.01.10.0005	Cepro Sonic replacement curtain	92.15.01 on demand

▶ **CEPRO ROBUSTO ACCESSOIRES**

- Parts for Robusto screen
- Castors Ø 75 mm
- Round 35 x 2,5mm tube

▶ **CEPRO ROBUSTO CASTORS**

Castors for Robusto screen
with break Ø 75 mm 30.04.32.01

Castors for Robusto screen
without break Ø 75 mm 30.04.32.00



▶ **CEPRO ROBUSTO SWIVEL ARM 70CM**

Without curtains/strips	30.01.32.07
Cepro Orange-CE curtain	30.01.32.0715
Cepro Green-9 curtain	30.01.32.0719
Cepro Green-6 curtain	30.01.32.0716
Cepro Bronze-CE curtain	30.01.32.0717

Without curtains/strips	30.01.32.07
Cepro Orange-CE strips	30.01.32.0725
Cepro Green-9 strips	30.01.32.0729
Cepro Green-6 strips	30.01.32.0726
Cepro Bronze-CE strips	30.01.32.0727

▶ **CEPRO ROBUSTO SWIVEL ARM 110CM**

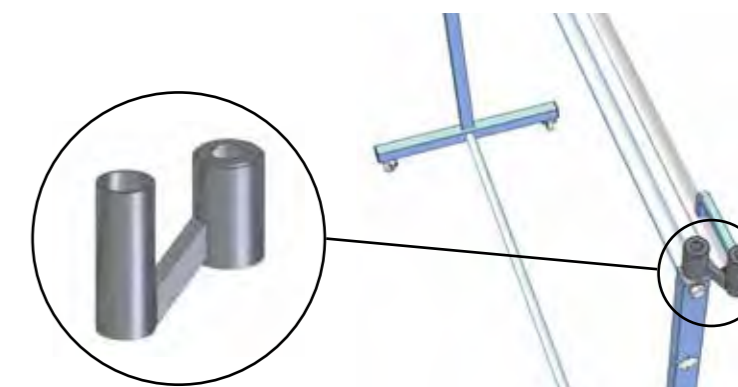
Without curtains/strips	30.01.32.11
Cepro Orange-CE curtain	30.01.32.1115
Cepro Green-9 curtain	30.01.32.1119
Cepro Green-6 curtain	30.01.32.1116
Cepro Bronze-CE curtain	30.01.32.1117

Without curtains/strips	30.01.32.11
Cepro Orange-CE strips	30.01.32.1125
Cepro Green-9 strips	30.01.32.1129
Cepro Green-6 strips	30.01.32.1126
Cepro Bronze-CE strips	30.01.32.1127

▶ **CEPRO ROBUSTO SPECIAL HINGE FOR SWIVEL ARM**

Special additional hinge-point for Robusto screen
30.01.32

- Suitable for positioning swivel arm parallel to the screen.



▶ **CEPRO OMNIUM WELDING SCREEN 215CM**

- Height 200 cm
- Width central section 215cm
- Standard 4 swivel castors Ø 50mm
- 2 swivel castors with brake and 2 without
- RAL 7035 powder coating finish
- Round 30 x 2mm tube
- Rectangular 40 x 30 x 2mm tube

▶ **CEPRO OMNIUM TRIPTYCH WELDING SCREEN 375CM**

- Height 200 cm
- Width central section 215cm
- 2 swivel arms each 80cm
- Standard 4 swivel castors Ø 50mm
- 2 swivel castors with brake and 2 without
- RAL 7035 powder coating finish
- Round 30 x 2mm tube
- Rectangular 40 x 30 x 2mm tube

▶ **CEPRO OMNIUM WELDING SCREEN 215CM - WITH WELDING CURTAIN**

Cepro Orange-CE	36.34.15	<ul style="list-style-type: none"> • Curtain height 160cm • Plastic suspension rings • Curtains EN ISO 25980 approved
Cepro Green-9	36.34.19	
Cepro Green-6	36.34.16	
Cepro Bronze-CE	36.34.17	

EN ISO 25980
APPROVED



▶ **CEPRO OMNIUM TRIPTYCH WELDING SCREEN 375CM - WITH WELDING CURTAINS**

Cepro Orange-CE	36.36.15	<ul style="list-style-type: none"> • Curtain height 160cm • Plastic suspension rings • Curtains EN ISO 25980 approved
Cepro Green-9	36.36.19	
Cepro Green-6	36.36.16	
Cepro Bronze-CE	36.36.17	

EN ISO 25980
APPROVED



▶ **CEPRO OMNIUM WELDING SCREEN 215CM - WITH WELDING STRIPS**

Cepro Orange-CE	36.34.25	<ul style="list-style-type: none"> • Strip height 160cm • Strips 300 x 2mm • Overlap strips 5cm • Plastic suspension clips • Strips EN ISO 25980 approved
Cepro Green-9	36.34.29	
Cepro Green-6	36.34.26	
Cepro Bronze-CE	36.34.27	

EN ISO 25980
APPROVED



▶ **CEPRO OMNIUM TRIPTYCH WELDING SCREEN 375CM - WITH WELDING STRIPS**

Cepro Orange-CE	36.36.25	<ul style="list-style-type: none"> • Strips height 160cm • Strips 300 x 2mm • Overlap strips 5cm • Plastic suspension clips • Strips EN ISO 25980 approved
Cepro Green-9	36.36.29	
Cepro Green-6	36.36.26	
Cepro Bronze-CE	36.36.27	

EN ISO 25980
APPROVED



▶ **CEPRO OMNIUM WELDING SCREEN 215CM - WITH WELDING SHEET**

Cepro Orange-CE	36.34.05	<ul style="list-style-type: none"> • Sheet height 160cm • Sheets 570 x 1mm • Metal tube clamps • Sheet EN ISO 25980 approved
Cepro Green-9	36.34.09	
Cepro Green-6	36.34.06	
Cepro Bronze-CE	36.34.07	

EN ISO 25980
APPROVED



▶ **CEPRO OMNIUM TRIPTYCH WELDING SCREEN 375CM - WITH WELDING SHEET**

Cepro Orange-CE	36.36.05	<ul style="list-style-type: none"> • Sheet height 160cm • Sheets 570 x 1mm • Metal tube clamps • Sheet EN ISO 25980 approved
Cepro Green-9	36.36.09	
Cepro Green-6	36.36.06	
Cepro Bronze-CE	36.36.07	

EN ISO 25980
APPROVED



▶ **REPLACEMENT FILLING FOR CEPRO OMNIUM SINGLE SCREEN 215CM**

Cepro Orange-CE replacement curtain 18.15.16	Cepro Orange-CE replacement strips 29.05.16.0008	Cepro Orange-CE replacement sheet 22.15.16.0004
Cepro Green-9 replacement curtain 18.19.16	Cepro Green-9 replacement strips 29.09.16.0008	Cepro Green-9 replacement sheet 22.19.16.0004
Cepro Green-6 replacement curtain 18.16.16	Cepro Green-6 replacement strips 29.06.16.0008	Cepro Green-6 replacement sheet 22.16.16.0004
Cepro Bronze-CE replacement curtain 18.17.16	Cepro Bronze-CE replacement strips 29.07.16.0008	Cepro Bronze-CE replacement sheet 22.17.16.0004

▶ **REPLACEMENT FILLING FOR CEPRO OMNIUM TRIPTYCH SCREEN 375CM**

Cepro Orange-CE replacement curtain 18.15.16.0001	Cepro Orange-CE replacement strips 29.05.16.0014	Cepro Orange-CE replacement sheet 2 x 22.15.16.0004
Cepro Green-9 replacement curtain 18.19.16.0001	Cepro Green-9 replacement strips 29.09.16.0014	Cepro Green-9 replacement sheet 2 x 22.19.16.0004
Cepro Green-6 replacement curtain 18.16.16.0001	Cepro Green-6 replacement strips 29.06.16.0014	Cepro Green-6 replacement sheet 2 x 22.16.16.0004
Cepro Bronze-CE replacement curtain 18.17.16.0001	Cepro Bronze-CE replacement strips 29.07.16.0014	Cepro Bronze-CE replacement sheet 2 x 22.17.16.0004

▶ **CEPRO OMNIUM TRIPTYCH XL WELDING SCREEN 435CM**

- Height 200 cm
- Width central section 215cm
- 2 swivel arms each 110cm
- Standard 4 swivel castors Ø 50mm
- 2 swivel castors with brake and 2 without
- RAL 7035 powder coating finish
- Round 30 x 2mm tube
- Rectangular 40 x 30 x 2mm tube

▶ **CEPRO OMNIUM TRIPTYCH XL WELDING SCREEN 435CM - WITH WELDING CURTAINS**

Cepro Orange-CE	36.36.65
Cepro Green-9	36.36.69
Cepro Green-6	36.36.66
Cepro Bronze-CE	36.36.67

- Curtain height 160cm
- Plastic suspension rings
- Curtains EN ISO 25980 approved

EN ISO 25980
APPROVED



▶ **REPLACEMENT CURTAIN FOR CEPRO OMNIUM TRIPTYCH XL SCREEN 435CM**

Cepro Orange-CE	18.15.16.0002
Cepro Green-9	18.19.16.0002
Cepro Green-6	18.16.16.0002
Cepro Bronze-CE	18.17.16.0002

- Curtain height 160cm
- Curtains EN ISO 25980 approved

EN ISO 25980
APPROVED



▶ **CEPRO OMNIUM ACCESSOIRES**

- Parts for Omnium screen
- Castors Ø 50mm
- Round 30 x 2mm tube

▶ **CEPRO OMNIUM CASTORS**

Castors for Omnium screen
with break Ø 50mm 30.04.34.01

Castors for Omnium screen
without break Ø 50mm 30.04.34.00



▶ **CEPRO OMNIUM SWIVEL ARM 80CM**

Without curtains/strips 30.01.34.08

Cepro Orange-CE
curtain 30.01.34.0815

Cepro Green-9
curtain 30.01.34.0819

Cepro Green-6
curtain 30.01.34.0816

Cepro Bronze-CE
curtain 30.01.34.0817

Without curtains/strips 30.01.34.08

Cepro Orange-CE
strips 30.01.34.0825

Cepro Green-9
strips 30.01.34.0829

Cepro Green-6
strips 30.01.34.0826

Cepro Bronze-CE
strips 30.01.34.0827

▶ **CEPRO OMNIUM SWIVEL ARM 110CM**

Without curtains 30.01.32.11

Cepro Orange-CE
curtain 30.01.34.1115

Cepro Green-9
curtain 30.01.34.1119

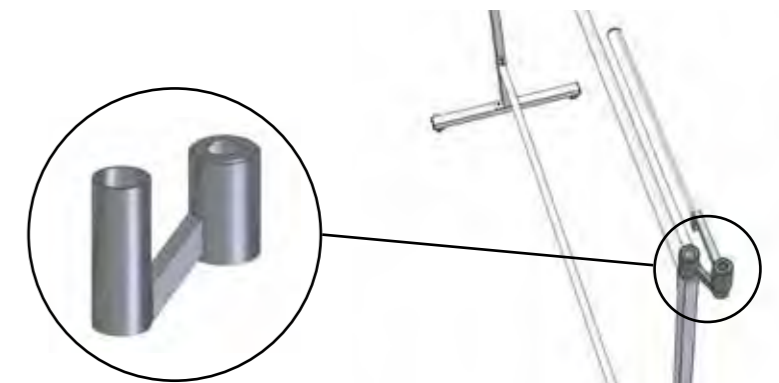
Cepro Green-6
curtain 30.01.34.1116

Cepro Bronze-CE
curtain 30.01.34.1117

▶ **CEPRO OMNIUM SPECIAL HINGE FOR SWIVEL ARM**

Special additional hinge-point for Omnium screen
30.01.32

- Suitable for positioning swivel
arm parallel to the screen.



PRODUCT FACT SHEETS

i For all welding screens product fact sheets are available with information about dimensions, mounting etc.

Please visit our website or contact our sales department for more information.



▶ **CEPRO SPRINT WELDING SCREEN**

- Height 193cm
- Width 192cm
- Without castors (optional)
- RAL 9005 powder coating finish
- Round galvanized 22 x 1mm tube
- Square 30 x 30 x 2mm tube

▶ **CEPRO SPRINT WELDING SCREEN - WITH WELDING CURTAINS**

Cepro Orange-CE	36.38.15	<ul style="list-style-type: none"> • Curtain height 160cm • Steel suspension rings • Curtains EN ISO 25980 approved
Cepro Green-9	36.38.19	
Cepro Green-6	36.38.16	
Cepro Bronze-CE	36.38.17	



▶ **CEPRO GAZELLE WELDING SCREEN**

- Height 200 cm
- Width 200cm / 140cm
- Without castors
- Galvanized frame
- Round 25 x 1mm tube
- Fitted with a curtain with an open seam on the top and bottom

▶ **CEPRO GAZELLE WELDING SCREEN 140CM**

Cepro Orange-CE	36.39.15	<ul style="list-style-type: none"> • Curtain height 176cm • Fitted curtain with an open seam at the top and bottom • Curtain EN ISO 25980 approved
Cepro Green-9	36.39.19	
Cepro Green-6	36.39.16	
Cepro Bronze-CE	36.39.17	

EN ISO 25980
APPROVED



▶ **CEPRO SPRINT WELDING SCREEN - WITH WELDING SHEET**

Cepro Orange-CE	36.38.05	<ul style="list-style-type: none"> • Sheet height 160cm • Sheets 570 x 1mm • Metal tube clamps • Sheet EN ISO 25980 approved
Cepro Green-9	36.38.09	
Cepro Green-6	36.38.06	
Cepro Bronze-CE	36.38.07	



▶ **CEPRO GAZELLE WELDING SCREEN 200CM**

Cepro Orange-CE	36.39.25	<ul style="list-style-type: none"> • Curtain height 176cm • Fitted curtain with an open seam at the top and bottom • Curtain EN ISO 25980 approved
Cepro Green-9	36.39.29	
Cepro Green-6	36.39.26	
Cepro Bronze-CE	36.39.27	

EN ISO 25980
APPROVED



▶ **CEPRO SPRINT CASTORS**

Set castors for Sprint screen 2 with break and 2 without	30.06.34
Castors for Sprint screen with break Ø 50mm	30.04.34.01
Castors for Sprint screen without break Ø 50mm	30.04.34.00



▶ **REPLACEMENT CURTAINS FOR CEPRO GAZELLE WELDING SCREEN**

Cepro Orange-CE 140cm wide	13.15.04.14	Cepro Orange-CE 200cm wide	13.15.04.20
Cepro Green-9 140cm wide	13.19.04.14	Cepro Green-9 200cm wide	13.19.04.20
Cepro Green-6 140cm wide	13.16.04.14	Cepro Green-6 200cm wide	13.16.04.20
Cepro Bronze-CE 140cm wide	13.17.04.14	Cepro Bronze-CE 200cm wide	13.17.04.20

▶ **REPLACEMENT FILLING FOR CEPRO SPRINT WELDING SCREEN**

Cepro Orange-CE replacement curtain	18.15.16	Cepro Orange-CE replacement sheet	22.15.16.0004
Cepro Green-9 replacement curtain	18.19.16	Cepro Green-9 replacement sheet	22.19.16.0004
Cepro Green-6 replacement curtain	18.16.16	Cepro Green-6 replacement sheet	22.16.16.0004
Cepro Bronze-CE replacement curtain	18.17.16	Cepro Bronze-CE replacement sheet	22.17.16.0004



CEPRO GAZELLE WELDING SCREEN

The Gazelle welding screen is designed for use in small workplaces or when the use is not very frequent. When work needs to be regularly done in different places or when flexibility in the organization of the working space is required, protection with movable screens can offer a better alternative.

